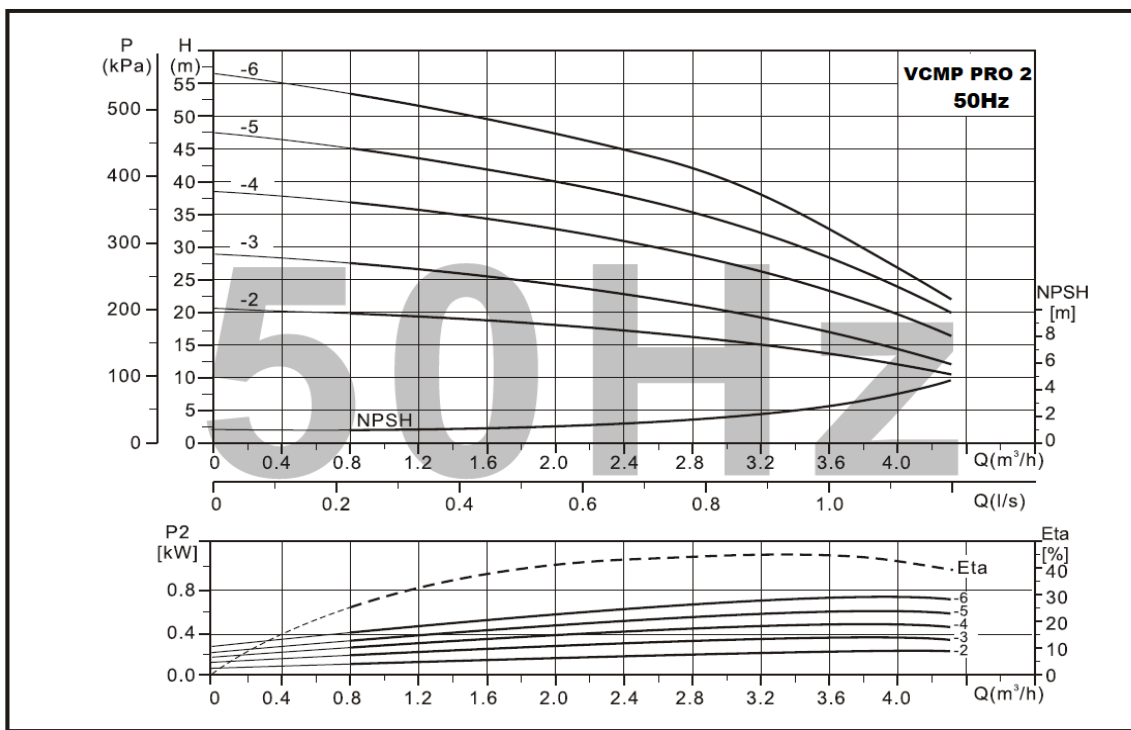


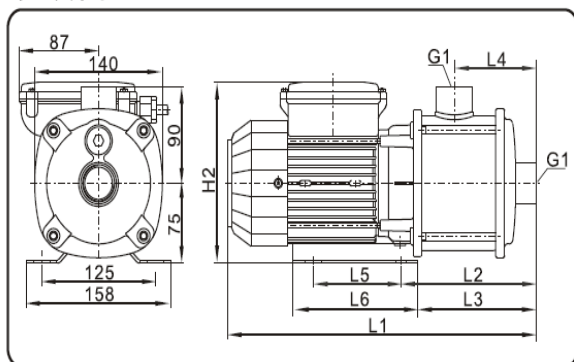
性能曲线/Performance curve



性能表/Performance table

| 泵型号 Model | 配用电机 Driving motor P ₂ (kW) | 流量 Q (m ³ /h) | 扬程 H (m) | | | | | | | | |
|---------------|--|--------------------------------|----------|------|------|-----|-----|------|------|------|-----|
| | | | 0.8 | 1.2 | 1.6 | 2.0 | 2.4 | 2.8 | 3.2 | 3.6 | 4.0 |
| VCMP PRO 2-20 | 0.25 | 扬程 H (m) | 19.5 | 19 | 18.5 | 18 | 17 | 16.5 | 14.5 | 13.5 | 12 |
| VCMP PRO 2-30 | 0.37 | | 27 | 26 | 25 | 24 | 23 | 22 | 20 | 17 | 15 |
| VCMP PRO 2-40 | 0.55 | | 36 | 35 | 34 | 32 | 31 | 29 | 27 | 23 | 20 |
| VCMP PRO 2-50 | 0.55 | | 44 | 43 | 42 | 40 | 38 | 36 | 33 | 28.5 | 24 |
| VCMP PRO 2-60 | 0.75 | | 53 | 51.5 | 49 | 47 | 44 | 41 | 37 | 32 | 27 |

安装图/Installation sketch



| 泵型号 Model | 尺寸/Dimensions(mm) | | | | | | 重量 Weight (kg) | | |
|---------------|--------------------|-------------------|-----|-----|-----|-----|----------------------|-----|------|
| | 单相 Single Phase | 三相 Three Phase | L1 | L2 | L3 | L4 | | L5 | L6 |
| | H2 | | | | | | | | |
| VCMP PRO 2-20 | 170 | 174 | 318 | 131 | 113 | 72 | 96 | 136 | 7.4 |
| VCMP PRO 2-30 | 170 | 174 | 318 | 131 | 113 | 72 | 96 | 136 | 7.5 |
| VCMP PRO 2-40 | 170 | 174 | 336 | 149 | 131 | 90 | 96 | 136 | 10 |
| VCMP PRO 2-50 | 170 | 174 | 383 | 167 | 143 | 108 | 96 | 136 | 10.5 |
| VCMP PRO 2-60 | 170 | 188 | 416 | 203 | 179 | 144 | 96 | 155 | 12 |